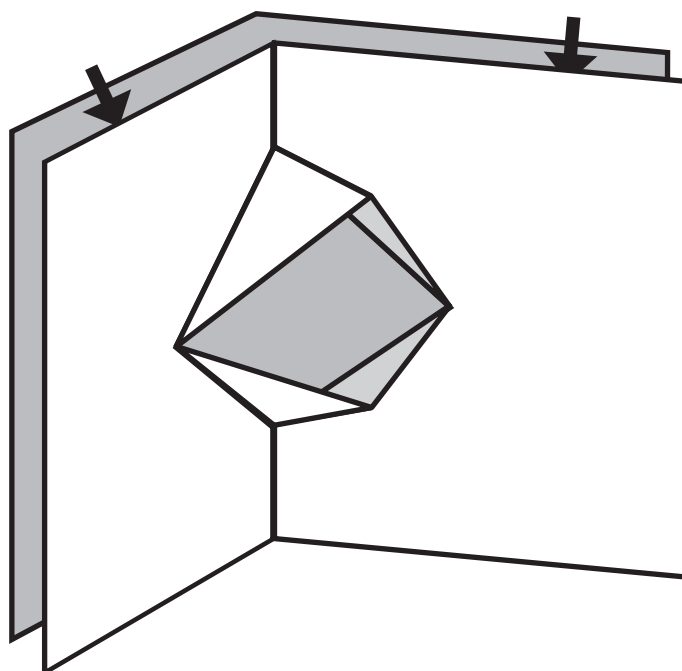
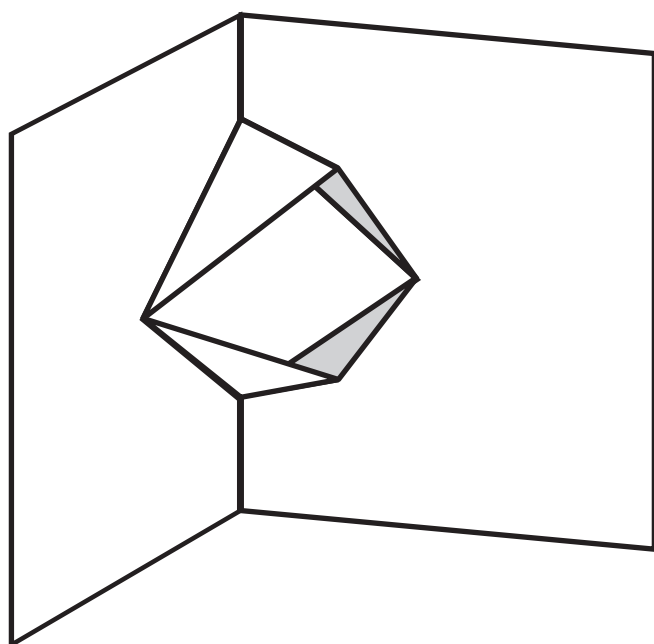
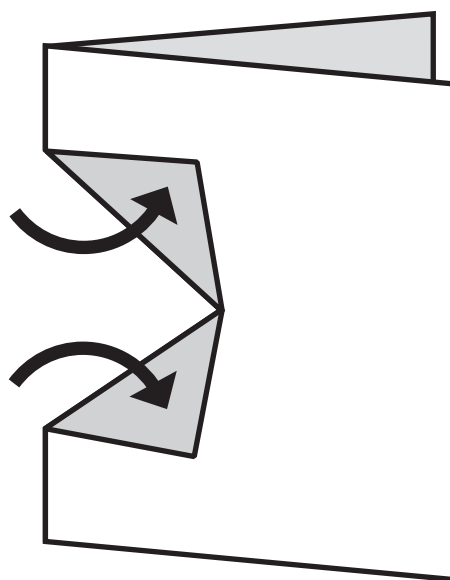
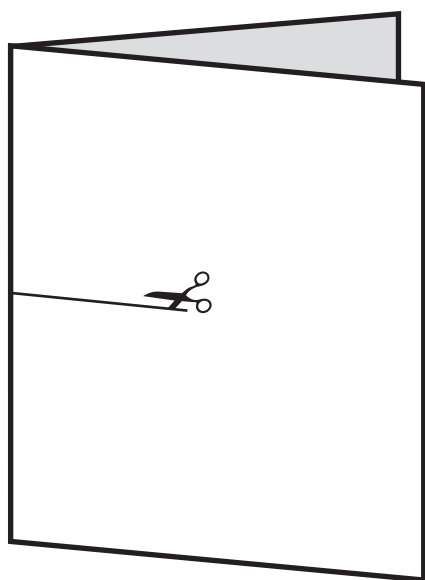
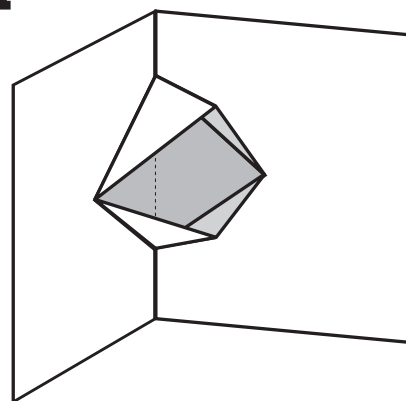


# Pop-up book

This design is ideal for stories that contain a surprise. You will need two identical card rectangles.

- Fold one piece in half; cut a line from the centre of the folded edge to the centre of the rectangle.
- From the cut, fold a right-angled triangle upwards, then unfold, then fold in the opposite direction.

- Fold the other triangle downwards, unfold, then fold in the opposite direction.
- Open the card like a tent and push the two triangular sections through to the other side so that they open like a bird's beak.
- Take the second piece of card, 'wrap' it around the first and glue the two together – you will now have a space for a drawing hidden beneath the 'beak'.



Activities devised by Robert Watts.

